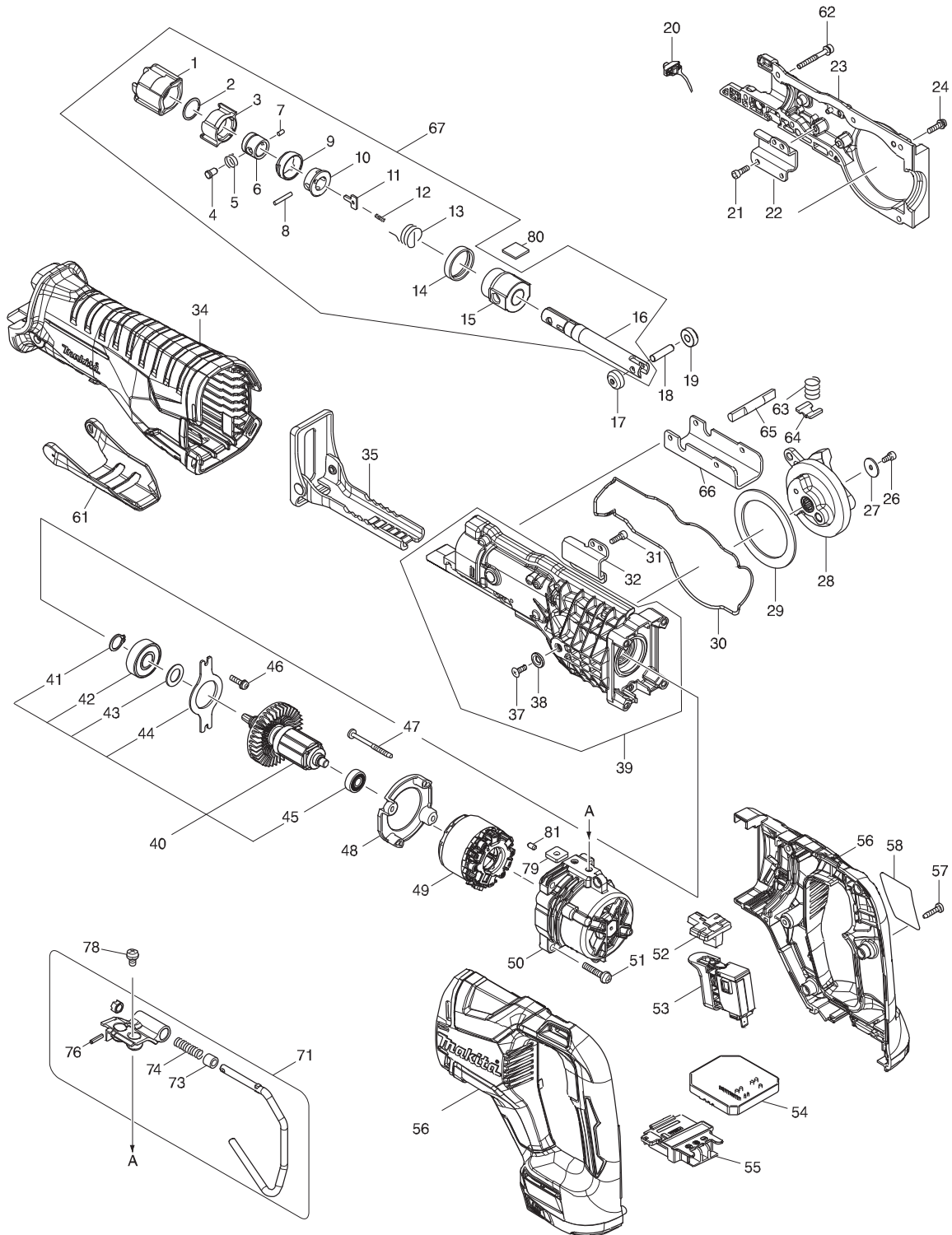




05 - 2016

DJR187Z

18V LXT Brushless Reciprocating Saw



Item No.	Type	Sub	Part No.	Description	Qty	Unit
001			424763-8	PROTECTOR	1	PC.
002	2		257430-8	* RETAINING RING (EXT) 18	1	PC.
003			310662-9	DRIVING SLEEVE	1	PC.
004			256569-4	SHOULDER PIN 5	1	PC.
005			234381-2	COMPRESSION SPRING 6	1	PC.
006	1		331720-8	* GUIDE SLEEVE	1	PC.
	2		327043-0	* GUIDE SLEEVE	1	PC.
007			268094-3	PIN 3	1	PC.
008			256158-5	PIN 3	1	PC.
009			417791-0	DRIVING SLEEVE GUIDE	1	PC.
010			418311-3	SLEEVE	1	PC.
011			345214-7	PUSH PLATE	1	PC.
012			233025-1	COMPRESSION SPRING 2	1	PC.
013			231687-9	TORSION SPRING 17	1	PC.
014			424762-0	RUBBER RING	1	PC.
015			143365-8	SLIDER GUIDE COMPLETE	1	PC.
		INC.	213151-2	OIL SEAL 14	1	PC.
		INC.	213174-0	X RING 14	1	PC.
016			161376-1	SLIDER	1	PC.
017			310663-7	ROLLER	1	PC.
018			268341-2	PIN 6	1	PC.
019			310663-7	ROLLER	1	PC.
020			620434-7	LED CIRCUIT	1	PC.
021	2		265353-6	HEX. SOCKET HEAD BOLT M4X12	2	PC.
022			346936-2	ROD GUIDE R	1	PC.
023			143362-4	GEAR HOUSING R COMPLETE	1	PC.
024			911128-8	PAN HEAD SCREW M4X16	5	PC.
026	2		265911-8	HEX. SOCKET HEAD BOLT M4X8	1	PC.
027			267491-0	FLAT WASHER 4	1	PC.
028	1		143359-3	* GEAR COMPLETE	1	PC.
	2		140D35-4	* GEAR COMPLETE	1	PC.
029			267490-2	FLAT WASHER 54	1	PC.
030			424764-6	SEAL RING	1	PC.
031	2		265353-6	HEX. SOCKET HEAD BOLT M4X12	2	PC.
032			346935-4	ROD GUIDE L	1	PC.
034			424765-4	INSULATION COVER	1	PC.
035	1		161374-5	SHOE	1	PC.
	2		161809-6	SHOE	1	PC.
037	2		265135-6	+ COUNTERSUNK HEAD SCREW M4X10	1	PC.
038			253825-3	FLAT WASHER 6	1	PC.
039	3		127462-8	GEAR HOUSING L ASSEMBLY	1	PC.
		INC.		Item No. 37,38		
040	3		519529-0	* ROTOR ASS'Y	1	PC.
		INC.		* Item No. 41-45		
041			961052-5	RETAINING RING S-12	1	PC.
042			210118-1	BALL BEARING 6201DDW	1	PC.
043			253744-3	FLAT WASHER 12	1	PC.
044			285740-3	BEARING RETAINER 66	1	PC.
045			210062-2	BALL BEARING 607ZZ	1	PC.
046			911128-8	PAN HEAD SCREW M4X16	2	PC.
047	2		266425-0	TAPPING SCREW BIND M4X45	2	PC.
048			456178-1	BAFFLE PLATE	1	PC.

Item No.	Type	Sub	Part No.	Description	Qty	Unit
049	1		629179-4	* STATOR	1	PC.
	2		629B61-9	* STATOR	1	PC.
050	2		412476-3	MOTOR HOUSING	1	PC.
051			911243-8	PAN HEAD SCREW M5X25	4	PC.
052			456177-3	CHANGE BUTTON	1	PC.
053			650759-5	SWITCH C3JW-6B-2	1	PC.
054	2		620812-1	CONTROLLER A	1	PC.
055	2		643874-2	* TERMINAL	1	PC.
056	1		183C47-8	* HANDLE SET	1	SET
		INC.	263005-3	* RUBBER PIN 6	2	PC.
		3	183K23-0	* HANDLE SET	1	SET
		INC.	263005-3	* RUBBER PIN 6	2	PC.
057			266326-2	TAPPING SCREW 4X18	6	PC.
058			851P12-0	NAME PLATE F/ DJR187	1	PC.
059			807Y37-6	CAUTION LABEL	1	PC.
061			456176-5	LOCK LEVER	1	PC.
062			266979-7	HEX.SOCKET HEAD BOLT M4X35 WR	2	PC.
063			231231-2	COMPRESSION SPRING 12	1	PC.
064			346938-8	SHOE LOCK PLATE	1	PC.
065			326599-0	LOCK PIN	1	PC.
066			346937-0	SHOE GUIDE PLATE	1	PC.
067	2		127397-3	SLIDER ASSEMBLY	1	PC.
		INC.		Item No. 1-16		
071			123455-3	HOOK ASSEMBLY	1	PC.
		INC.		Item No. 73, 74, 76, 77		
073			262561-0	SLEEVE 6	1	PC.
074			233455-6	COMPRESSION SPRING 7	1	PC.
076			951057-3	SPRING PIN 3-12	1	PC.
077			310661-1	LOCK SLEEVE	1	PC.
078			911206-4	PAN HEAD SCREW M5X10	2	PC.
079			264002-2	SQUARE NUT M5	2	PC.
080			424858-7	FELT 16X16	1	PC.
081			263002-9	RUBBER PIN 4	1	PC.
082			620K37-3	* CONTROLLER B	1	PC.
083			638A31-1	* LEAD UNIT	1	PC.
084			652119-7	* PH SCREW M2X6	6	PC.
C01			878570-5	CARTON F/DJR187Z	1	PC.

ACCESSORIES

A01			194068-7	RECIPRO SAW BLADE 2PC/KIT (F/Metal, F/Wood)	1	KT.
			E-10693	RECIPRO SAW BLADE 3PC/KIT	1	KT.
A02			B-05175	RECIPRO SAW BLADE WOOD	1	PC.
A06			---	BATTERY CHARGER		
A07			---	18V LI-ION BATTERY		
A08			---	LI-ION BATTERY ACCESSORIES		
A09			821007X	TOOL BAG		

SERVICE CHANGES

1. Handle set and Terminal

(T/I# B4531)

(T/I#C3448)

Item No.	Description	Type 1	Type 2	Type 3
55	Terminal	643899-6	643874-2	
56	Housing Set	183C47-8	183D21-2	182K23-0

Above parts are interchangeable as a set

2. Gear Complete, Rotor Assembly

(T/I# C2638)

Item No.	Description	Type 1	Type 2
28	Gear Complete	143359-3	140D35-4
40	Rotor Assy	519418-9	519529-0

Above parts are interchangeable as a set

3. Retaining Ring and Guide Sleeve

(T/I# C8033)

Item No.	Description	Type 1	Type 2
2	Retaining Rin	257952-8	257430-8
6	Housing Set	331720-8	327043-0

Above parts are interchangeable as a set

4. Changes on Stator, Controller B, Lead Unit and PH Screw M2x6

(T/I#DE648)

Item No.	Description	Type 1	Type 2
49	STATOR	629179-4	629B61-9
82	CONTROLLER B	-----	620K37-3
83	LEAD UNIT	-----	638A31-1
84	PH SCREW M2X6	-----	652119-7

Above parts are interchangeable as a set

See T/I#DE648 for repair and wiring